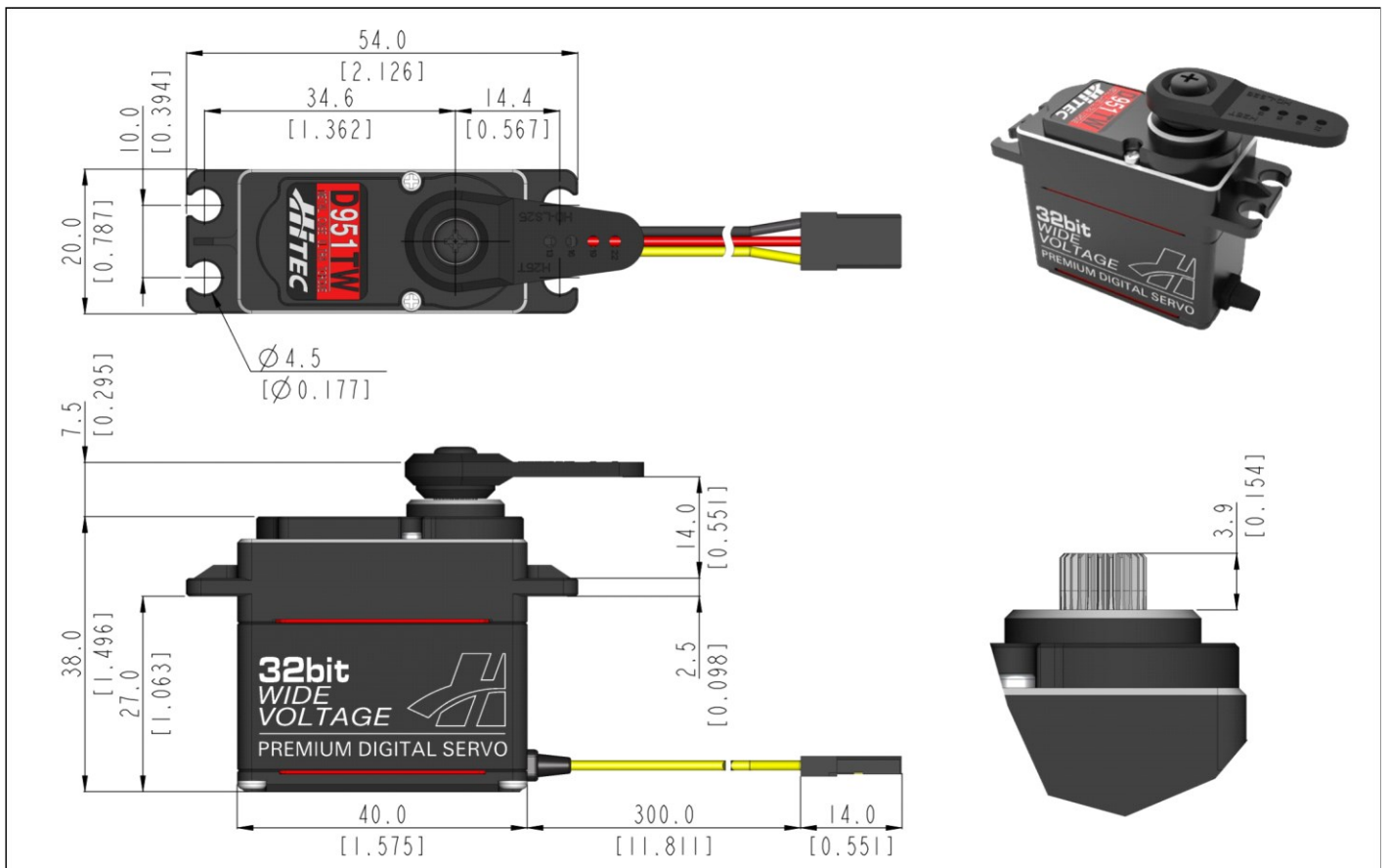


D951TW General Specification.



| | | | | |
|-----------------------------|--|--------------------------|--------------------------|---|
| Control System | PWM/TTL(Half Duplex) | | | - |
| Position Sensor Type | Contact Analog Potentiometer | | | - |
| Motor Type | Coreless | | | At the Max voltage, it is recommended to be used only for a short time duration. |
| Operating Voltage Range | 3.5 ~ 8.4V | | | |
| Voltage | 4.8V | 6.0V | 7.4V | At 25°C(±10%), 45%RH(±10%) <u>measurement environment</u> |
| No Load Speed | 0.23sec/60° | 0.17sec/60° | 0.14sec/60° | |
| Stall Torque | 21.0kgf-cm (291.64oz-in) | 29.0kgf-cm (402.73oz-in) | 35.0kgf-cm (486.06oz-in) | |
| Peak Efficiency Torque | 4.2kgf-cm (58.33oz-in) | 5.8kgf-cm (80.55oz-in) | 7.0kgf-cm (97.21oz-in) | |
| Standing Current | 30mA | 30mA | 30mA | |
| No Load Running Current | 300mA | 390mA | 500mA | |
| Stall Current | 3,700mA | 4,800mA | 6,200mA | |
| Deadband | 1μs | 1μs | 1μs | |
| Operating Travel | Default: ±60°, Programmable: Max 175° / Pulse Width: 900~2100μs(Center:1500μs) | | | - |
| Continuous Rotation | n/a | | | - |
| Operating Temperature Range | -20°C ~ +60°C (-4°F ~ +140°F) | | | - |
| Storage Temperature Range | -30°C ~ +80°C (-22°F ~ +176°F) | | | - |
| Connector Wire Length | 300mm (11.811inch) | | |  |
| Connector Wire Gauge | 20AWG | | | |
| Dimensions | 40.0mm x 20.0mm x 38.0mm (1.575inch x 0.787inch x 1.496inch) | | | General Tolerance ±0.1mm |
| Weight | 80.0g (2.822oz) | | | Excluding the weight of Horn |
| Bearing Type | 2 Ball Bearing | | | - |
| Case Material | Aluminum Alloy | | | - |
| Gear Material | 1 Metal-Plastic & 3 Titanium Alloy Gears | | | - |
| Gear Train Backlash | Max 0.5° | | | - |
| Horn Gear Spline | 25T(Ø6) | | | - |
| IP-Rating | IP54 | | | - |
| Servo Amplifier Type | 32bit programmable Digital | | | - |



1:1 scale (Unit : mm[inch])

- This product should not be used directly on the human body for medical purposes.
- This product should not be used for war weapons.
- All specifications are subject to change without notice.

