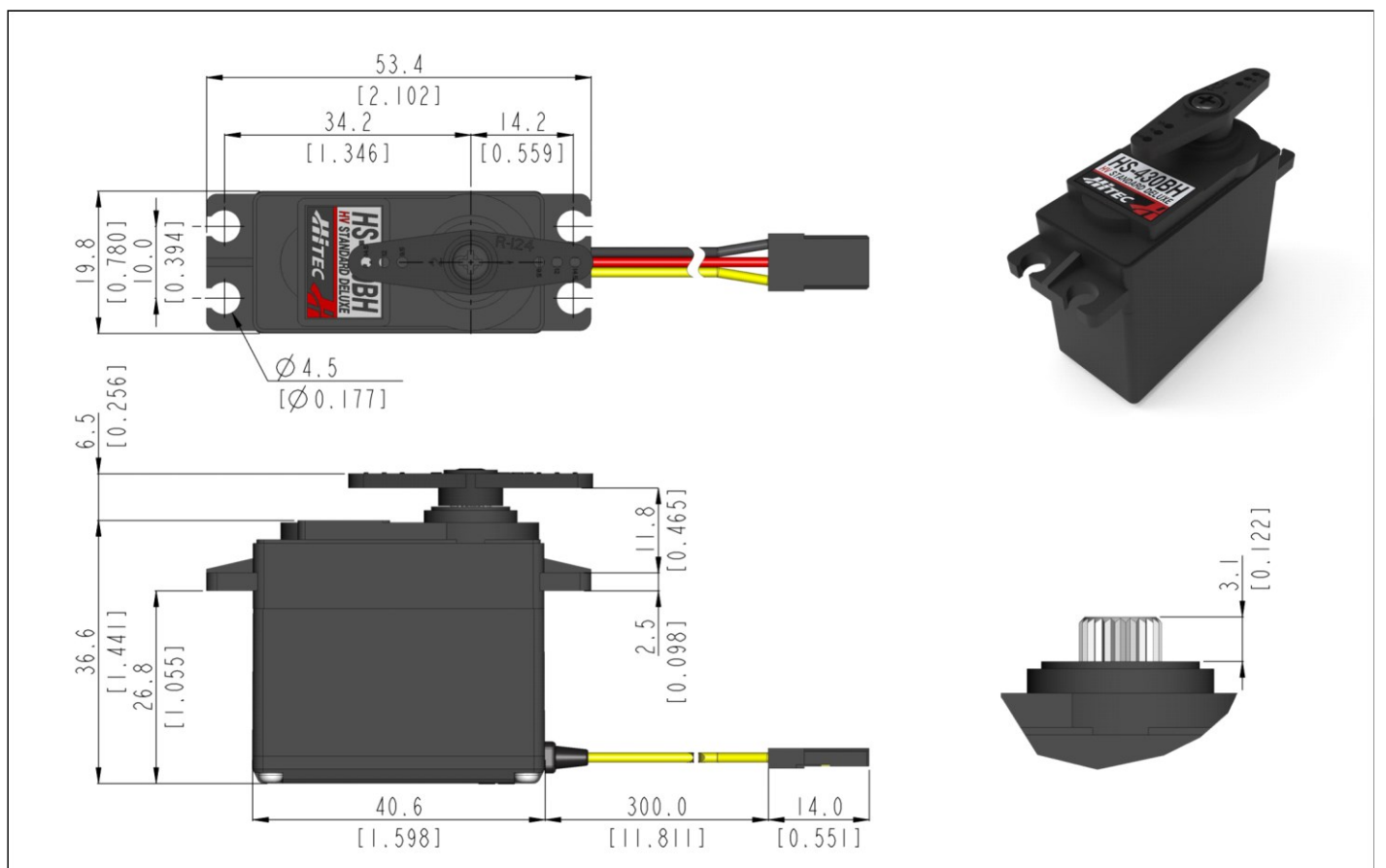


HS-430BH General Specification.



| | | | | |
|-----------------------------|--|------------------------|---|------------------------|
| Control System | PWM | | - | |
| Position Sensor Type | Contact Analog Potentiometer | | - | |
| Motor Type | Cored Metal Brush | | At 25°C(±10%), 45%RH(±10%) <u>measurement environment</u> | |
| Operating Voltage Range | 6.0 ~ 7.4V | | | |
| Voltage | - | 6.0V | | 7.4V |
| No Load Speed | - | 0.16sec/60° | | 0.14sec/60° |
| Stall Torque | - | 4.1kgf-cm (56.94oz-in) | | 5.0kgf-cm (69.44oz-in) |
| Peak Efficiency Torque | - | 0.8kgf-cm (11.1 oz-in) | | 1.0kgf-cm (13.9 oz-in) |
| Standing Current | - | 8mA | | 10mA |
| No Load Running Current | - | 150mA | | 190mA |
| Stall Current | - | 750mA | | 930mA |
| Deadband | - | 5μs | | 5μs |
| Operating Travel | Default: ±60°, Non-programmable / Pulse Width: 900~2100μs(Center:1500μs) | | - | |
| Continuous Rotation | n/a | | - | |
| Operating Temperature Range | -20°C ~ +60°C (-4°F ~ +140°F) | | - | |
| Storage Temperature Range | -30°C ~ +80°C (-22°F ~ +176°F) | | - | |
| Connector Wire Length | 300mm (11.811inch) | |  | |
| Connector Wire Gauge | 24WAG | | | |
| Dimensions | 40.6mm x 19.8mm x 36.5mm (1.598inch x 0.780inch x 1.437inch) | | General Tolerance ±0.1mm | |
| Weight | 45.5g (1.605oz) | | Excluding the weight of Horn | |
| Bearing Type | 2 Ball Bearing | | - | |
| Case Material | Engineering Plastic | | - | |
| Gear Material | 4 Resin Gears | | - | |
| Gear Train Backlash | Max 0.5° | | - | |
| Horn Gear Spline | 24T(Ø6) | | - | |
| IP-Rating | IP4X | | - | |
| Servo Amplifier Type | Analog Contorller | | - | |



1:1 scale (Unit : mm[inch])

- This product should not be used directly on the human body for medical purposes.
- This product should not be used for war weapons.
- All specifications are subject to change without notice.

