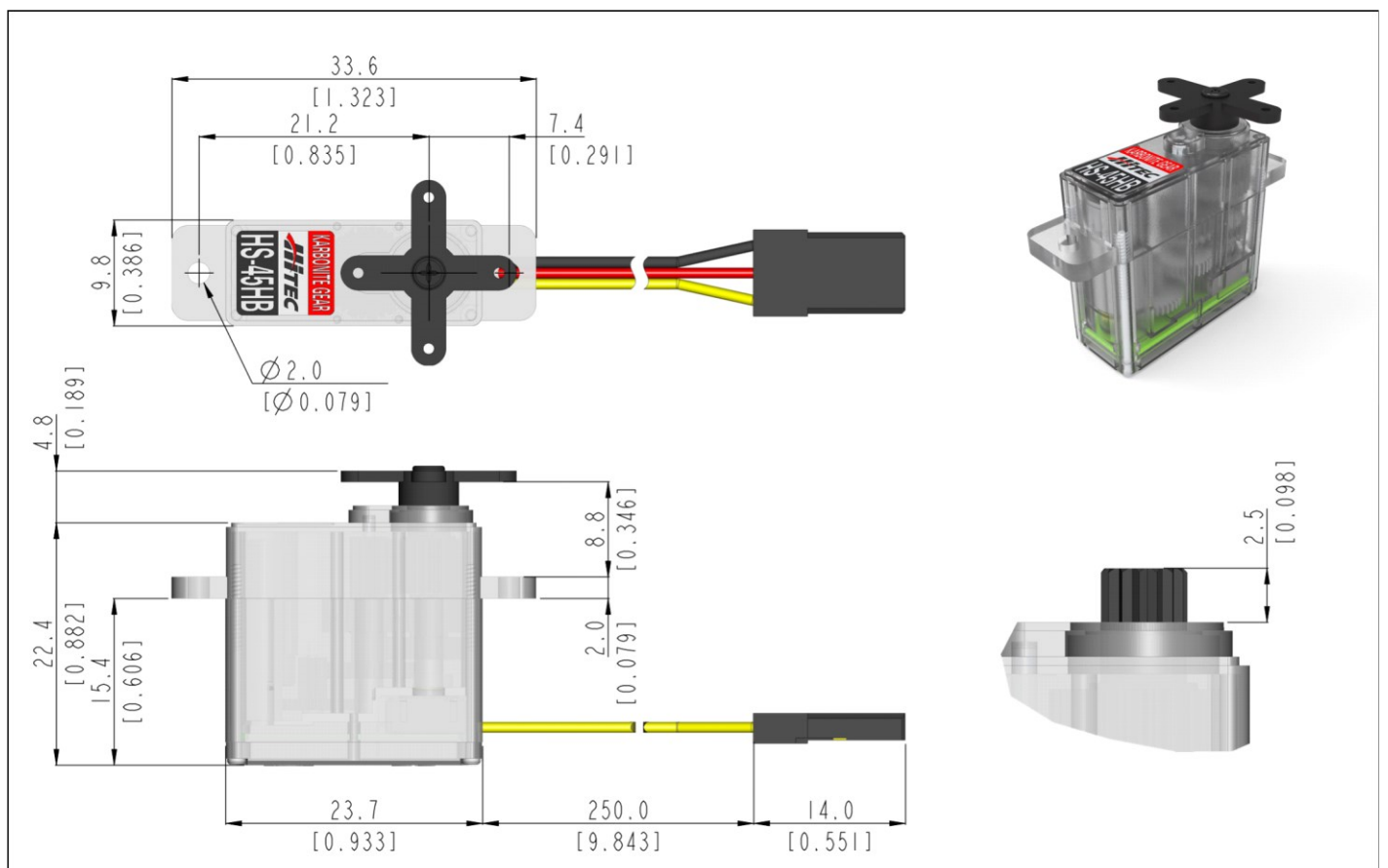


HS-45HB General Specification.



Control System	PWM		-	
Position Sensor Type	Contact Analog Potentiometer		-	
Motor Type	Coreless		At 25°C(±10%), 45%RH(±10%) <u>measurement environment</u>	
Operating Voltage Range	4.8V			
Voltage	4.8V	-		-
No Load Speed	0.14sec/60°	-		-
Stall Torque	1.0kgf·cm (13.89oz-in)	-		-
Peak Efficiency Torque	0.2kgf·cm (2.8 oz-in)	-		-
Standing Current	8mA	-		-
No Load Running Current	100mA	-		-
Stall Current	440mA	-		-
Deadband	5μs	-		-
Operating Travel	Default: ±60°, Non-programmable / Pulse Width: 900~2100μs(Center:1500μs)		-	
Continuous Rotation	n/a		-	
Operating Temperature Range	-20°C ~ +60°C (-4°F ~+140°F)		-	
Storage Temperature Range	-30°C ~ +80°C (-22°F ~+176°F)		-	
Connector Wire Length	250mm (9.843inch)			
Connector Wire Gauge	28AWG			
Dimensions	23.7mm x 9.8mm x 22.4mm (0.933inch x 0.386inch x 0.882inch)		General Tolerance ±0.1mm	
Weight	8.0g (0.282oz)		Excluding the weight of Horn	
Bearing Type	1 Ball Bearing		-	
Case Material	Engineering Plastic		-	
Gear Material	5 Heavy Duty Resin Gears		-	
Gear Train Backlash	Max 0.5°		-	
Horn Gear Spline	15T(Ø4.0)		-	
IP-Rating	IP4X		-	
Servo Amplifier Type	Analog Controller		-	



3:2 scale (Unit : mm[inch])

- This product should not be used directly on the human body for medical purposes.
- This product should not be used for war weapons.
- All specifications are subject to change without notice.

