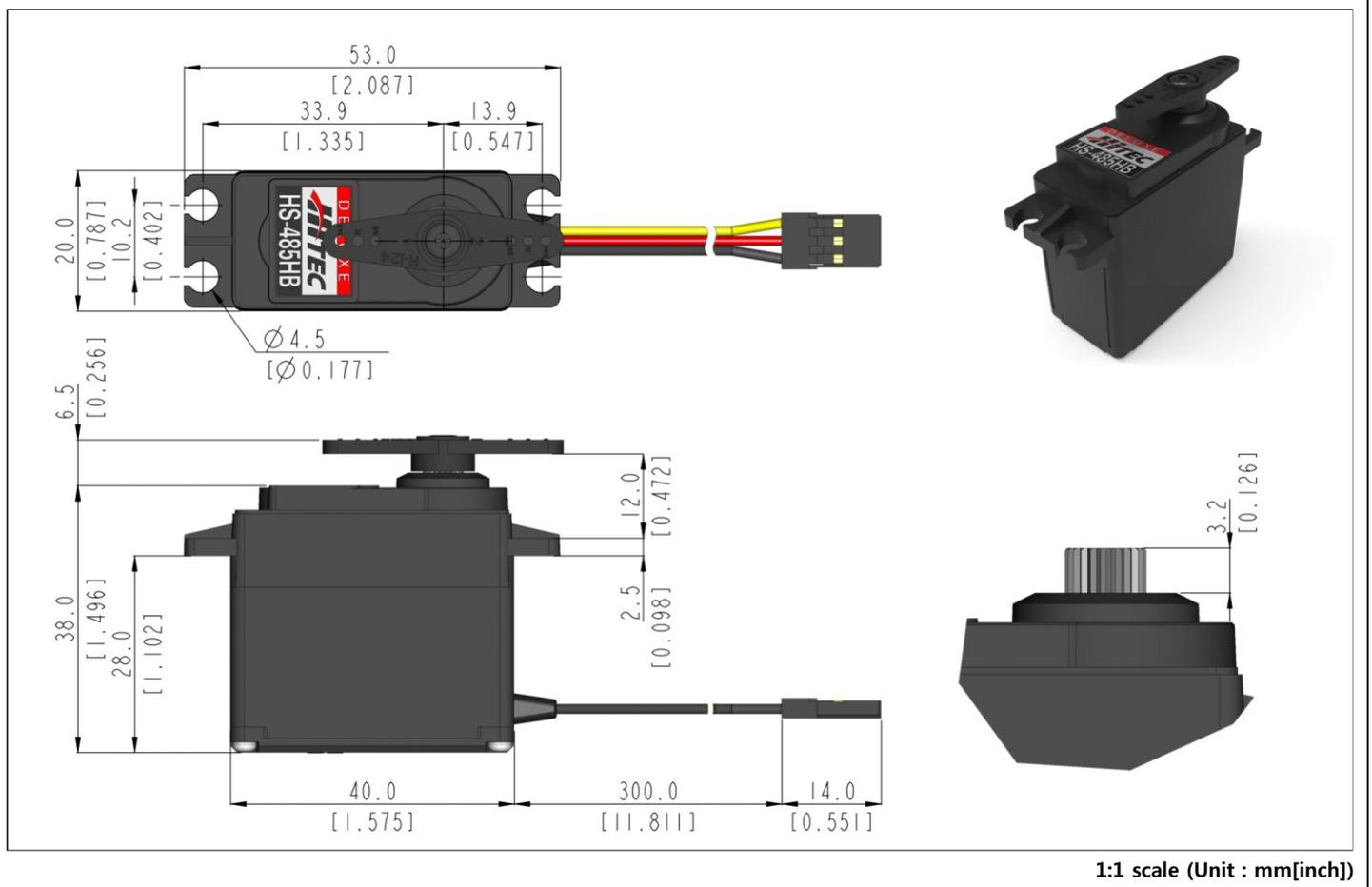


# HS-485HB General Specification.



Control System	PWM			-	
Position Sensor Type	Contact Analog Potentiometer			-	
Motor Type	Cored Metal Brush			-	
Operating Voltage Range	4.8 ~ 6.0V			-	
Voltage	4.8V	6.0V	-	At 25°C(±10%), 45%RH(±10%) measurement environment	
No Load Speed	0.22sec/60°	0.18sec/60°	-		
Stall Torque	4.8kgf-cm (66.66oz-in)	6.0kgf-cm (83.32oz-in)	-		
Peak Efficiency Torque	1.0kgf-cm (13.9 oz-in)	1.2kgf-cm (16.7 oz-in)	-		
Standing Current	8mA	10mA	-		
No Load Running Current	180mA	200mA	-		
Stall Current	1,000mA	1,200mA	-		
Deadband	3μs	3μs	-		
Operating Travel	Default: ±60°, Non-programmable / Pulse Width: 900~2100μs(Center:1500μs)				-
Continuous Rotation	n/a				-
Operating Temperature Range	-20°C ~ +60°C (-4°F ~ +140°F)			-	
Storage Temperature Range	-30°C ~ +80°C (-22°F ~ +176°F)			-	
Connector Wire Length	300mm (11.811inch)				
Connector Wire Gauge	24AWG				
Dimensions	39.8mm x 19.8mm x 38.0mm (1.567inch x 0.780inch x 1.496inch)			General Tolerance ±0.1mm	
Weight	45.0g (1.587oz)			Excluding the weight of Horn	
Bearing Type	2 Ball Bearing			-	
Case Material	Engineering Plastic			-	
Gear Material	4 Heavy Duty Resin Gears			-	
Gear Train Backlash	Max 0.5°			-	
Horn Gear Spline	24T(Ø6)			-	
IP-Rating	IP54			-	
Servo Amplifier Type	Analog Controller			-	



- This product should not be used directly on the human body for medical purposes.
- This product should not be used for war weapons.
- All specifications are subject to change without notice.

