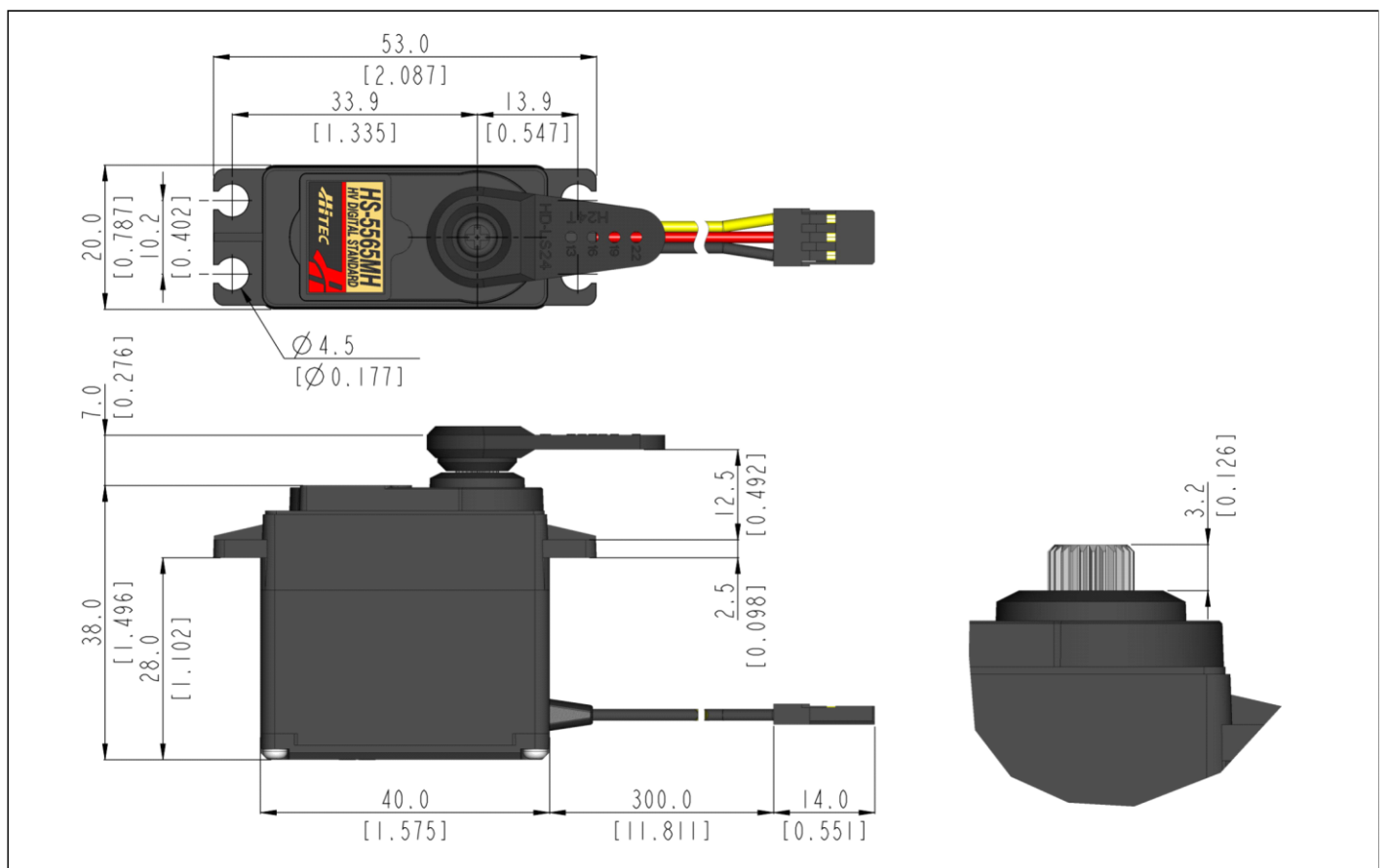


HS-5565MH General Specification.



Control System	PWM		-
Position Sensor Type	Contact Analog Potentiometer		-
Motor Type	Coreless		At the Max voltage, it is recommended to be used only for a short time duration.
Operating Voltage Range	3.5 ~ 8.4V		
Voltage	-	6.0V	7.4V
No Load Speed	-	0.11sec/60°	0.09sec/60°
Stall Torque	-	11.0kgf-cm (152.8 oz-in)	14.0kgf-cm (194.4 oz-in)
Peak Efficiency Torque	-	2.2kgf-cm (30.6 oz-in)	2.8kgf-cm (38.9 oz-in)
Standing Current	-	4mA	4mA
No Load Running Current	-	260mA	300mA
Stall Current	-	2,100mA	2,700mA
Deadband	-	2μs	2μs
Operating Travel	Default: ±60°, Programmable: Max 175° / Pulse Width: 900~2100μs(Center:1500μs)		
Continuous Rotation	n/a		
Operating Temperature Range	-20°C ~ +60°C (-4°F ~ +140°F)		-
Storage Temperature Range	-30°C ~ +80°C (-22°F ~ +176°F)		-
Connector Wire Length	300mm (11.811inch)		
Connector Wire Gauge	24AWG		
Dimensions	40.0mm x 20.0mm x 38.0mm (1.567inch x 0.780inch x 1.496inch)		General Tolerance ±0.1mm
Weight	59.0g (2.081oz)		Excluding the weight of Horn
Bearing Type	2 Ball Bearing		-
Case Material	Engineering Plastic		-
Gear Material	1 Metal-Plastic & 3 Metal Gears		-
Gear Train Backlash	Max 0.5°		-
Horn Gear Spline	24T(Ø6)		-
IP-Rating	IP54		-
Servo Amplifier Type	8bit Programmable Digital		-



1:1 scale (Unit : mm[inch])

- This product should not be used directly on the human body for medical purposes.
- This product should not be used for war weapons.
- All specifications are subject to change without notice.

