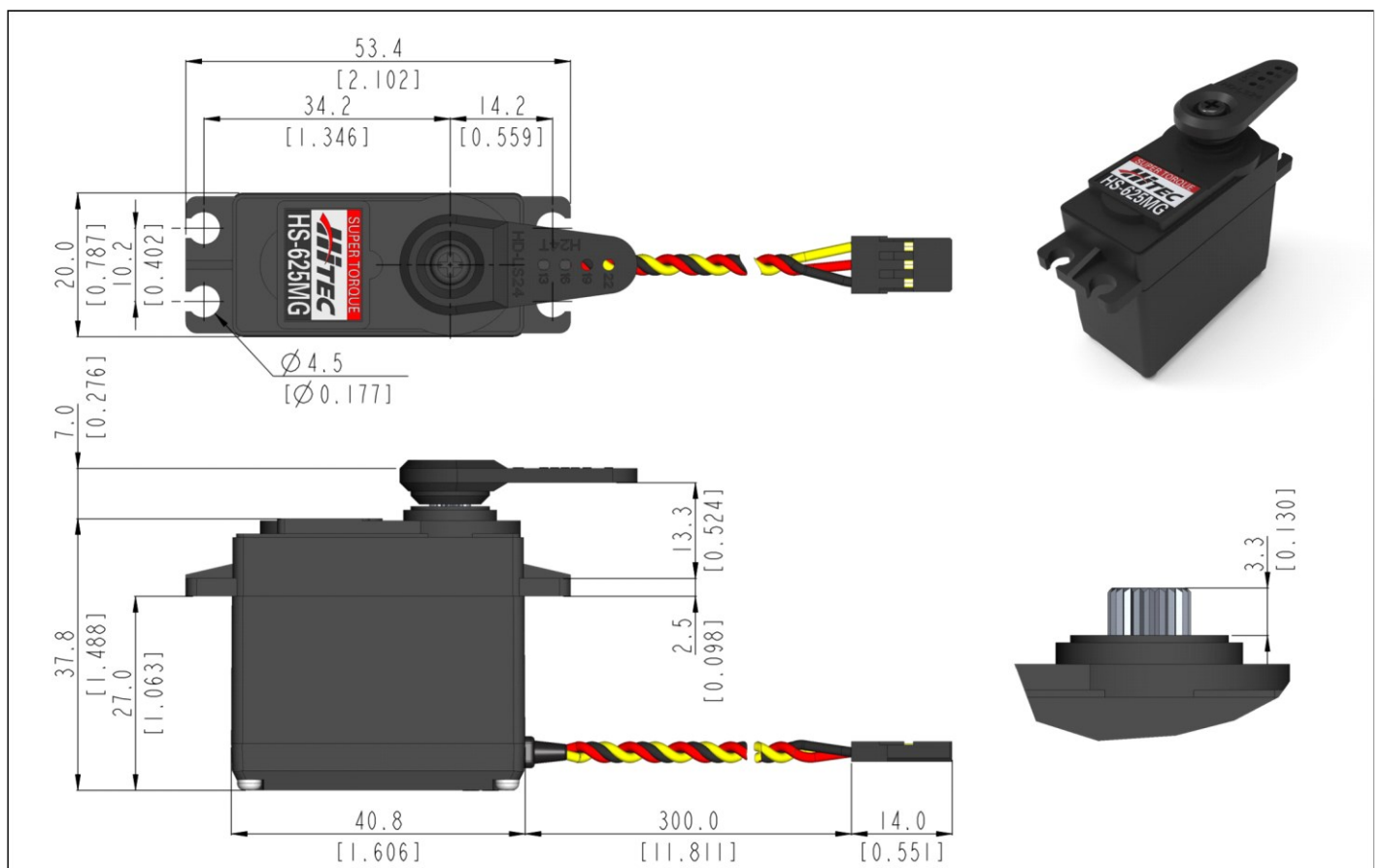


HS-625MG General Specification.



| | | | | |
|-----------------------------|--|------------------------|---|---|
| Control System | PWM | | | - |
| Position Sensor Type | Contact Analog Potentiometer | | | - |
| Motor Type | Cored Metal Brush | | | At 25°C(±10%), 45%RH(±10%) <u>measurement environment</u> |
| Operating Voltage Range | 4.8 ~ 6.0V | | | |
| Voltage | 4.8V | 6.0V | - | |
| No Load Speed | 0.18sec/60° | 0.15sec/60° | - | |
| Stall Torque | 5.5kgf-cm (76.38oz-in) | 6.8kgf-cm (94.43oz-in) | - | |
| Peak Efficiency Torque | 1.1kgf-cm (15.3 oz-in) | 1.4kgf-cm (19.4 oz-in) | - | |
| Standing Current | 9mA | 9mA | - | |
| No Load Running Current | 400mA | 500mA | - | |
| Stall Current | - | - | - | |
| Deadband | 8μs | 8μs | - | |
| Operating Travel | Default: ±60°, Non-programmable / Pulse Width: 900~2100μs(Center:1500μs) | | | |
| Continuous Rotation | n/a | | | |
| Operating Temperature Range | -20°C ~ +60°C (-4°F ~ +140°F) | | | - |
| Storage Temperature Range | -30°C ~ +80°C (-22°F ~ +176°F) | | | - |
| Connector Wire Length | 300mm (11.811inch) | | |  <ul style="list-style-type: none"> 1. SIGNAL 2. VCC 3. GND |
| Connector Wire Gauge | 22AWG | | | |
| Dimensions | 40.6mm x 19.8mm x 37.8mm (1.598inch x 0.780inch x 1.488inch) | | | General Tolerance ±0.1mm |
| Weight | 55.2g (1.947oz) | | | Excluding the weight of Horn |
| Bearing Type | 2 Ball Bearing | | | - |
| Case Material | Engineering Plastic | | | - |
| Gear Material | 1 Metal + Plastic & 3 Metal Gears | | | - |
| Gear Train Backlash | Max 0.5° | | | - |
| Horn Gear Spline | 24T(Ø6) | | | - |
| IP-Rating | IP4X | | | - |
| Servo Amplifier Type | Analog Contorller | | | - |



1:1 scale (Unit : mm[inch])

- This product should not be used directly on the human body for medical purposes.
- This product should not be used for war weapons.
- All specifications are subject to change without notice.

