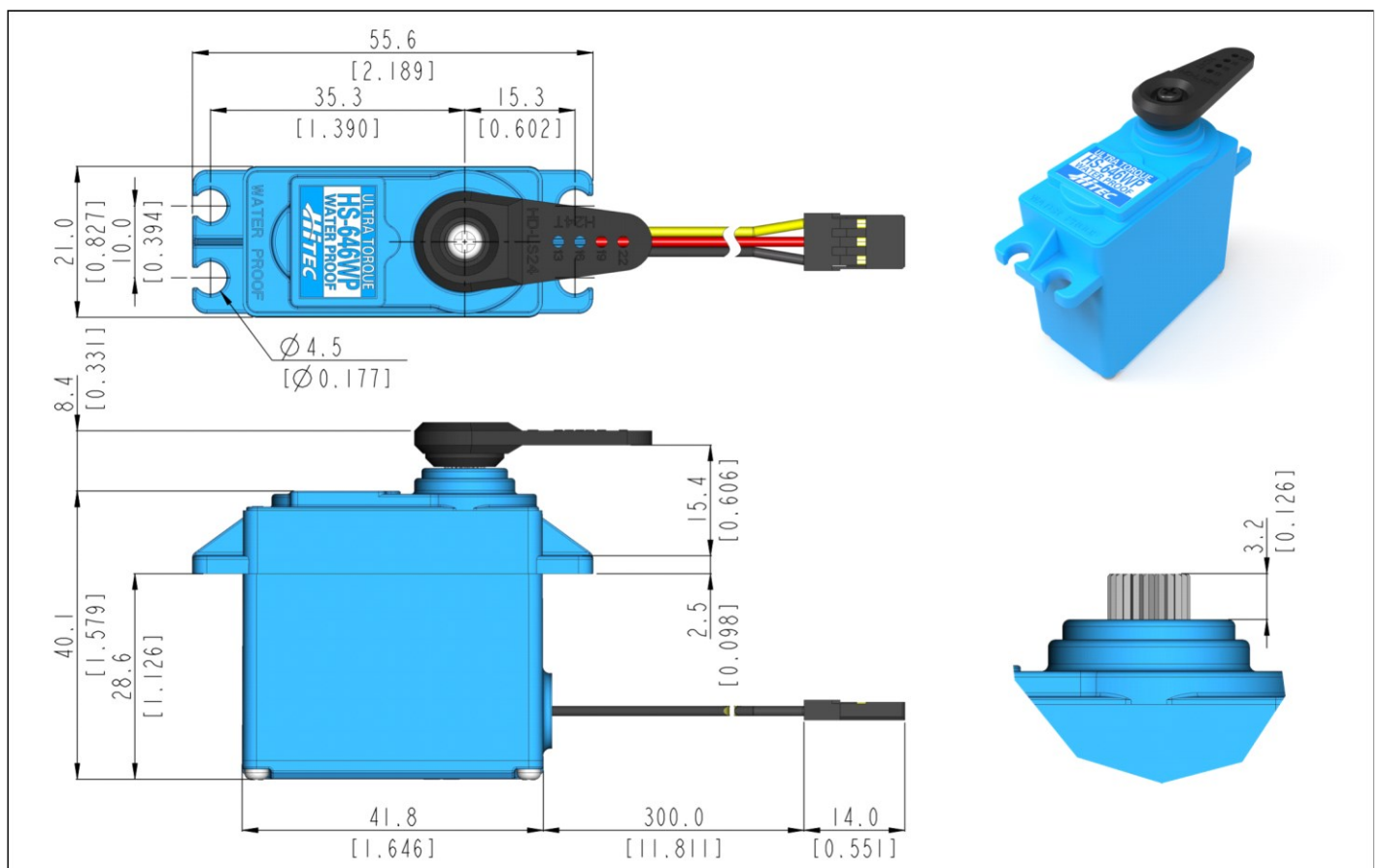


HS-646WP General Specification.



Control System	PWM		-	
Position Sensor Type	Contact Analog Potentiometer		-	
Motor Type	Cored Carbon brush		At 25°C(±10%), 45%RH(±10%) measurement environment	
Operating Voltage Range	6.0 ~ 7.4V			
Voltage	-	6.0V		7.4V
No Load Speed	-	0.20sec/60°		0.17sec/60°
Stall Torque	-	9.6kgf·cm (133.32oz·in)		11.6kgf·cm (161.09oz·in)
Peak Efficiency Torque	-	1.9kgf·cm (26.4 oz·in)		2.3kgf·cm
Standing Current	-	8mA		8mA
No Load Running Current	-	400mA		600mA
Stall Current	-	2,000mA		2,200mA
Deadband	-	4μs		4μs
Operating Travel	Default: ±60°, Non-programmable / Pulse Width: 900~2100μs(Center:1500μs)		-	
Continuous Rotation	n/a		-	
Operating Temperature Range	-20°C ~ +60°C (-4°F ~ +140°F)		-	
Storage Temperature Range	-30°C ~ +80°C (-22°F ~ +176°F)		-	
Connector Wire Length	300mm (11.811inch)			
Connector Wire Gauge	22AWG			
Dimensions	41.8mm x 21.0mm x 40.0mm (1.646inch x 0.827inch x 1.575inch)		General Tolerance ±0.1mm	
Weight	60.0g (2.116oz)		Excluding the weight of Horn	
Bearing Type	2 Ball Bearing		-	
Case Material	Engineering Plastic		-	
Gear Material	1 Metal + Plastic & 3 Metal Gears		-	
Gear Train Backlash	Max 0.5°		-	
Horn Gear Spline	24T(Ø6)		-	
IP-Rating	IP67		-	
Servo Amplifier Type	Analog Controller		-	



1:1 scale (Unit : mm[inch])

- This product should not be used directly on the human body for medical purposes.
- This product should not be used for war weapons.
- All specifications are subject to change without notice.

