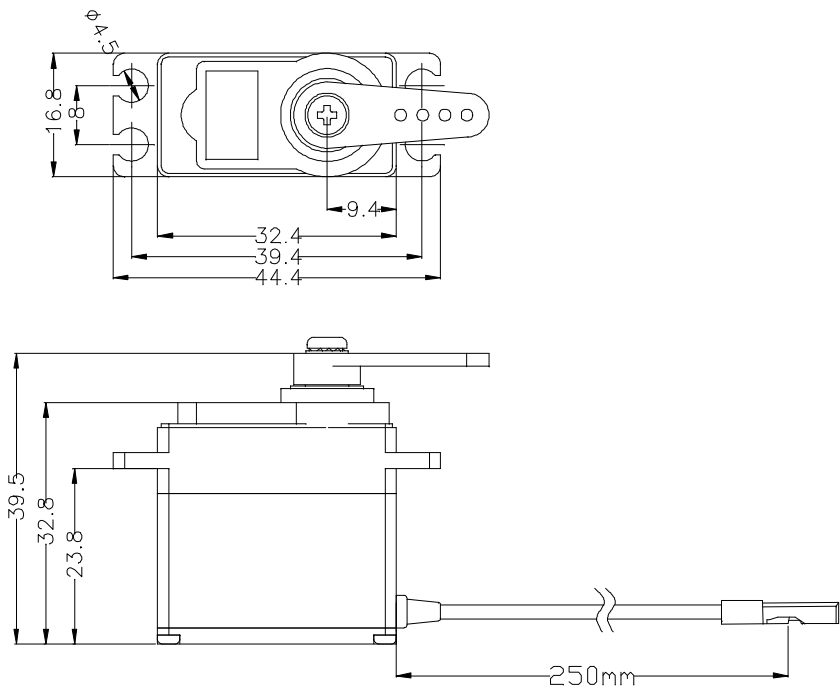


# GENERAL SPECIFICATION OF HS-7235MH CORELESS DIGITAL MINI SERVO

## 1. TECHNICAL VALUE

|                               |  |                       |
|-------------------------------|--|-----------------------|
| CONTROL SYSTEM                | : +PULSE WIDTH CONTROL 1500usec NEUTRAL                  |                       |
| OPERATING VOLTAGE RANGE       | : 6.0V TO 7.4V   |                       |
| OPERATING TEMPERATURE RANGE   | : -20°C TO +60°C (-4°F TO +140°F)                        |                       |
| TEST VOLTAGE                  | : AT 6.0V  | AT 7.4V               |
| OPERATING SPEED               | : 0.09sec/60° NO LOAD                                    | 0.08sec/60° NO LOAD   |
| STALL TORQUE                  | : 3.6kg.cm(49.99oz)                                      | 4.4kg.cm(61.10oz)     |
| STANDING TORQUE               | : -  |                       |
| IDLE CURRENT                  | : 10mA AT STOPPED  | 12mA AT STOPPED       |
| RUNNING CURRENT               | : 150mA/NO LOAD RUNNING                                  | 190mA/NO LOAD RUNNING |
| STALL CURRENT                 | : 1,300mA  |                       |
| DEAD BAND WIDTH               | : 2usec  |                       |
| OPERATING TRAVEL              | : 40±5°/ONE SIDE PULSE TRAVELING 400usec                 |                       |
| DIRECTION                     | : CLOCK WISE/PULSE TRAVELING 1500 TO 1900usec            |                       |
| MOTOR TYPE                    | : CORELESS METAL BRUSH                                   |                       |
| POTENTIOMETER TYPE            | : 4 SLIDER/1M CYCLE LONG LIFE/INDIRECT DRIVE             |                       |
| AMPLIFIER TYPE                | : ATMEGA48(G2.5) MCU DIGITAL AMPLIFIER WITH MOSFET DRIVE |                       |
| DIMENSIONS                    | : 32.4x16.8x32.8mm(1.28x0.66x1.29in)                     |                       |
| WEIGHT                        | : 34g(1.2oz)   |                       |
| BALL BEARING                  | : DUAL/MR106   |                       |
| GEAR MATERIAL                 | : 1 METAL-PLASTIC & 3 METAL GEARS                        |                       |
| HORN GEAR SPLINE              | : 24 SEGMENTS/φ5.76                                      |                       |
| SPLINED HORNS                 | : REGULAR/R-ML, R-C, R-D, R-I, R-O, R-X                  |                       |
| CONNECTOR WIRE LENGTH         | : 300mm(11.81in)   |                       |
| CONNECTOR WIRE STRAND COUNTER | : 60EA   |                       |
| CONNECTOR WIRE GAUGE          | : 22AWG  |                       |



## 2. FEATURES

- PROGRAMMABLE DIGITAL AMPLIFIER WITH MOSFET DRIVE
- 1 METAL-PLASTIC & 3 PRECISION ALL METAL GEARS WITH DUAL BALL BEARING
- HIGH RESPONSE CORELESS MOTOR

## 3. APPLICATIONS

- SMALL AIR PLANE & HELICOPTER MODELS

**HITEC RCD KOREA INC.**