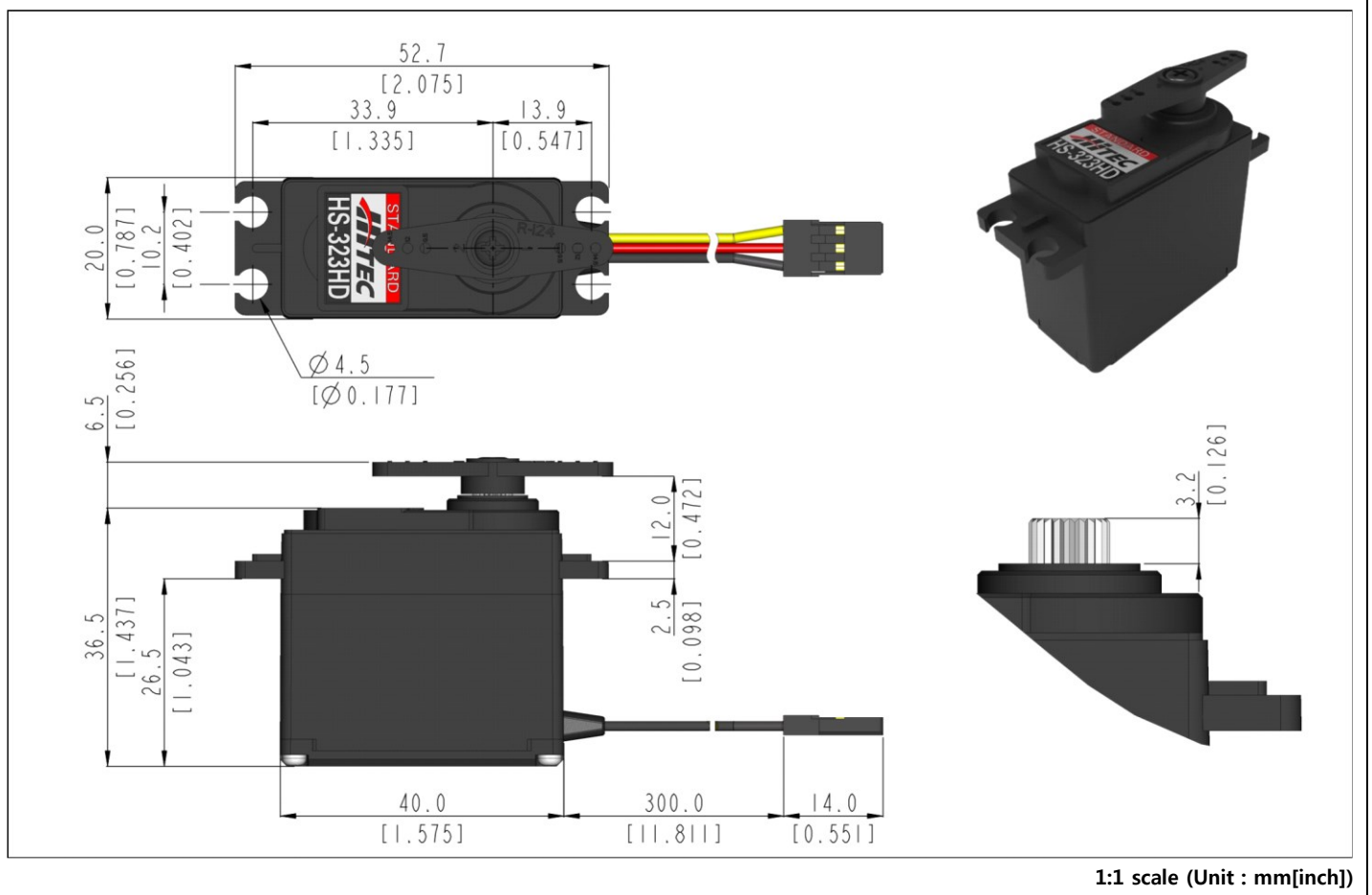


HS-323HD General Specification.



| | | | | |
|-----------------------------|--|------------------------|---|---|
| Control System | PWM | | | - |
| Position Sensor Type | Contact Analog Potentiometer | | | - |
| Motor Type | Cored Metal Brush | | | At 25°C(±10%), 45%RH(±10%) measurement environment |
| Operating Voltage Range | 4.8 ~ 6.0V | | | |
| Voltage | 4.8V | 6.0V | - | |
| No Load Speed | 0.19sec/60° | 0.15sec/60° | - | |
| Stall Torque | 3.0kgf-cm (41.66oz-in) | 3.7kgf-cm (51.38oz-in) | - | |
| Peak Efficiency Torque | 0.6kgf-cm (8.3 oz-in) | 0.7kgf-cm (9.7 oz-in) | - | |
| Standing Current | 7mA | 8mA | - | |
| No Load Running Current | 160mA | 180mA | - | |
| Stall Current | 700mA | 800mA | - | |
| Deadband | 5μs | 5μs | - | |
| Operating Travel | Default: ±60°, Non-programmable / Pulse Width: 900~2100μs(Center:1500μs) | | | - |
| Continuous Rotation | n/a | | | - |
| Operating Temperature Range | -20°C ~ +60°C (-4°F ~+140°F) | | | - |
| Storage Temperature Range | -30°C ~ +80°C (-22°F ~+176°F) | | | - |
| Connector Wire Length | 300mm (11.811inch) | | | |
| Connector Wire Gauge | 24WAG | | | |
| Dimensions | 40.0mm x 20.0mm x 36.5mm (1.575inch x 0.787inch x 1.437inch) | | | General Tolerance ±0.1mm |
| Weight | 44.0g (1.552oz) | | | Excluding the weight of Horn |
| Bearing Type | 2 Resin Bushing | | | - |
| Case Material | Engineering Plastic | | | - |
| Gear Material | 2 Resin & 2 Heavy Duty Resin Gears | | | - |
| Gear Train Backlash | Max 0.5° | | | - |
| Horn Gear Spline | 24T(Ø6) | | | - |
| IP-Rating | IP54 | | | - |
| Servo Amplifier Type | Analog Contorller | | | - |



- This product should not be used directly on the human body for medical purposes.
- This product should not be used for war weapons.
- All specifications are subject to change without notice.

