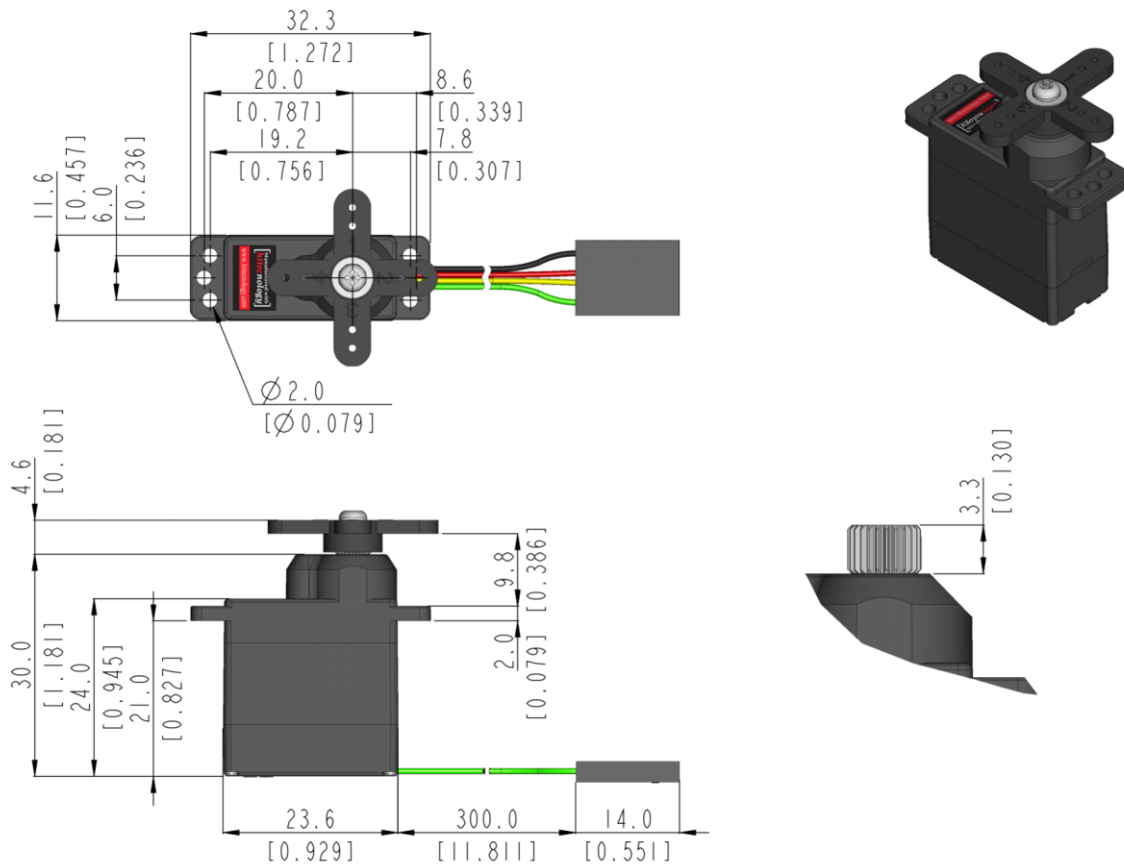


MD70MH-CAN General Specification.



Control System	CAN 2.0A,B		-
Position Sensor Type	Contactless Magnetic Encoder		-
Motor Type	Cored Metal Brush		At the Max voltage, it is recommended to be used only for a short time duration.
Operating Voltage Range	4.0 ~ 8.4V		
Voltage	-	6.0V	7.4V
No Load Speed	-	0.15sec/60°	0.12sec/60°
Stall Torque	-	3.1kgf-cm (43.05oz-in)	3.8kgf-cm (52.77oz-in)
Peak Efficiency Torque	-	0.6kgf-cm (8.33oz-in)	0.8kgf-cm (11.11oz-in)
Standing Current	-	30mA	30mA
No Load Running Current	-	200mA	240mA
Stall Current	-	1,000mA	1,300mA
Deadband	-	n/a	n/a
Operating Travel	Servo Mode : ±60°(Default), ±150°(Programmable) / Turn Mode : ±32760 Turns		F/W v1.5 or Higher version
Continuous Rotation	n/a		-
Operating Temperature Range	-20°C ~ +60°C (-4°F ~+140°F)		-
Storage Temperature Range	-30°C ~ +80°C (-22°F ~+176°F)		-
Connector Wire Length	300mm (11.811inch)		
Connector Wire Gauge	28AWG		
Dimensions	23.6mm x 11.6mm x 30.0mm (0.929inch x 0.457inch x 1.181inch)		General Tolerance ±0.1mm
Weight	14.1g (0.497oz)		Excluding the weight of Horn
Bearing Type	1 Ball Bearing		-
Case Material	Engineering Plastic		-
Gear Material	1 Heavy Duty Resin & 4 Metal Gears		-
Gear Train Backlash	Max 0.5°		-
Horn Gear Spline	M25T(Ø5)		-
IP-Rating	IP4X		-
Servo Amplifier Type	32bit programmable Digital		-



1:1 scale (Unit : mm[inch])

- This product should not be used directly on the human body for medical purposes.
- This product should not be used for war weapons.
- All specifications are subject to change without notice.
- Be careful as strong magnetic fields may cause malfunction of the product.

